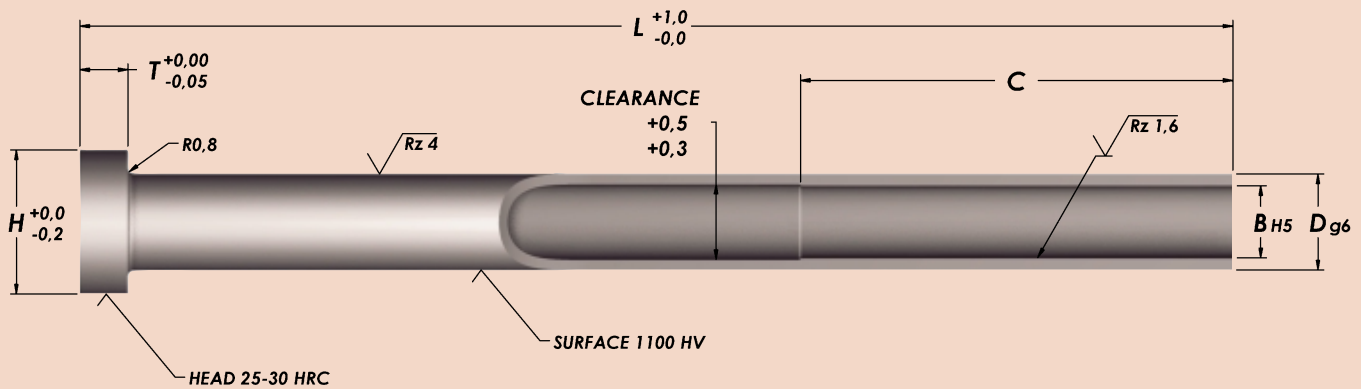


Ejector Sleeves

Nitrided - Parallel Metric

Material • AISI: H13
 • 1.2344
 Nitrided • I.D. & O.D.



D O.D.	B I.D.	Catalog Number	L								C	H	T
			75	100	125	150	175	200	225	250			
4,0	2,0	SN-04,0x02,0	075	100	125	150					35	8,0	3,0
	2,2	SN-04,0x02,2	075	100	125	150							
5,0	2,5	SN-05,0x02,5	075	100	125	150					35	10,0	3,0
	2,7	SN-05,0x02,7	075	100	125	150							
	3,0	SN-05,0x03,0	075	100	125	150	175				45	10,0	3,0
	3,2	SN-05,0x03,2	075	100	125	150	175						
6,0	3,0	SN-06,0x03,0	075	100	125						45	12,0	5,0
	3,5	SN-06,0x03,5	075	100	125	150	175						
	3,7	SN-06,0x03,7	075	100	125	150					50	12,0	5,0
	4,0	SN-06,0x04,0	075	100	125	150	175	200					
8,0	4,2	SN-06,0x04,2	075	100	125	150	175				50	14,0	5,0
	4,0	SN-08,0x04,0	075	100	125	150							
	4,2	SN-08,0x04,2	075	100	125	150	175	200					
	5,0	SN-08,0x05,0	075	100	125	150	175	200	225				
10,0	6,0	SN-10,0x06,0	075	100	125	150	175	200	225		50	16,0	5,0
	6,2	SN-10,0x06,2	075	100	125	150	175	200	225				
12,0	8,0	SN-12,0x08,0	075	100	125	150	175	200	225	250	50	20,0	7,0
	8,2	SN-12,0x08,2	075	100	125	150	175	200	225	250			
14,0	10,0	SN-14,0x10,0		100	125	150	175	200	225	250	50	22,0	7,0
	10,2	SN-14,0x10,2		100	125	150	175	200		250			
16,0	12,0	SN-16,0x12,0		100	125	150	175	200	225	250	50	22,0	7,0

• To order, add overall length "L" to Catalog Number. Example: SN-04,0x02,0L075

Nominal Size		g6		H5	
Over	To	Tolerance (mm)		Tolerance (mm)	
0mm	3mm	-.002	-.008	+.004	0
3mm	6mm	-.004	-.012	+.005	0
6mm	10mm	-.005	-.014	+.006	0
10mm	18mm	-.006	-.017	+.008	0