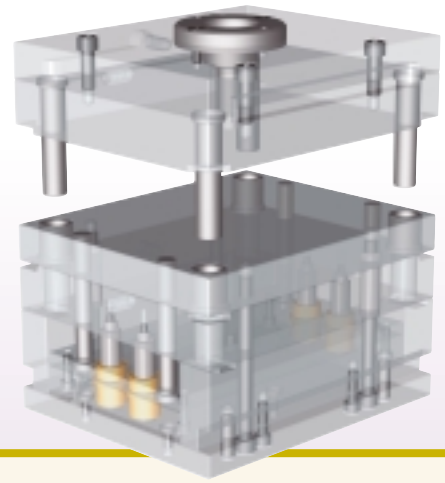




E-Series MOLD BASES

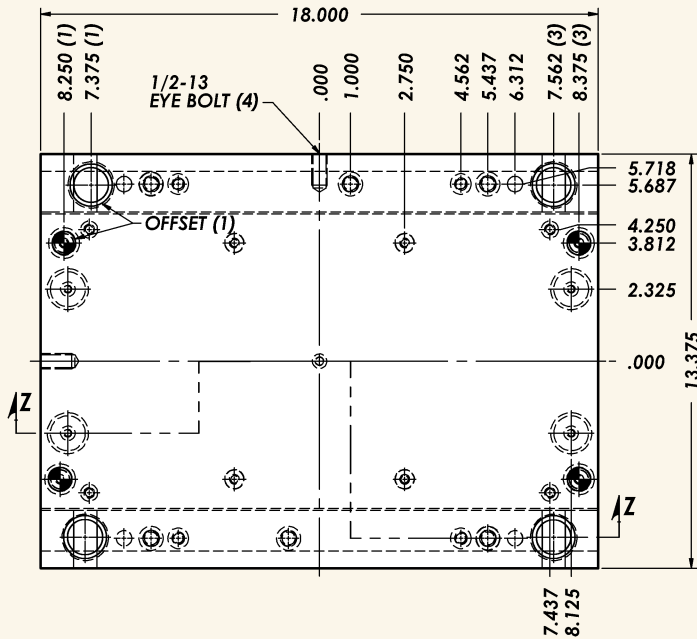
13³/₈ x 18



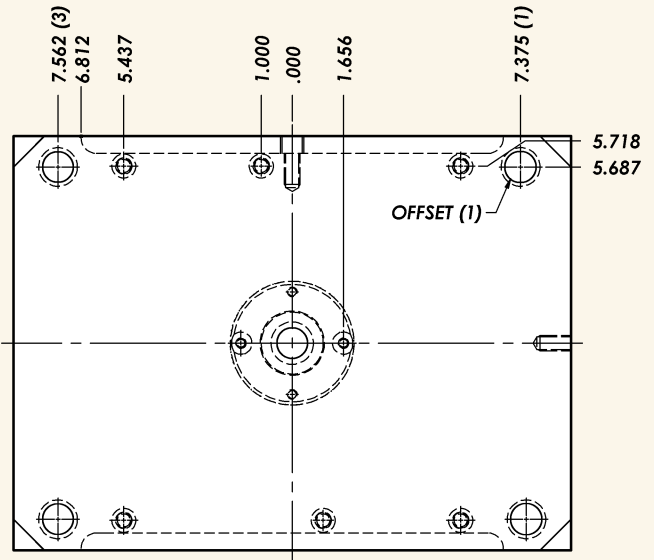
When ordering specify the following:

- Catalog number: **E1318**
- **A** plate thickness
- **B** plate thickness
- **O** sprue bushing orifice
- **R** sprue bushing radius
- Locating ring LR501 or LR504

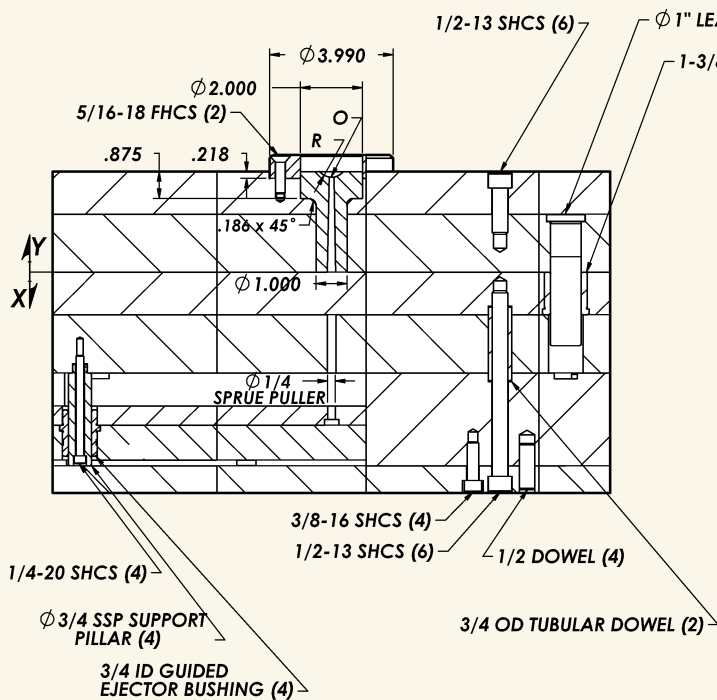
Example: E-1318-1717 O=7/32 R=1/2



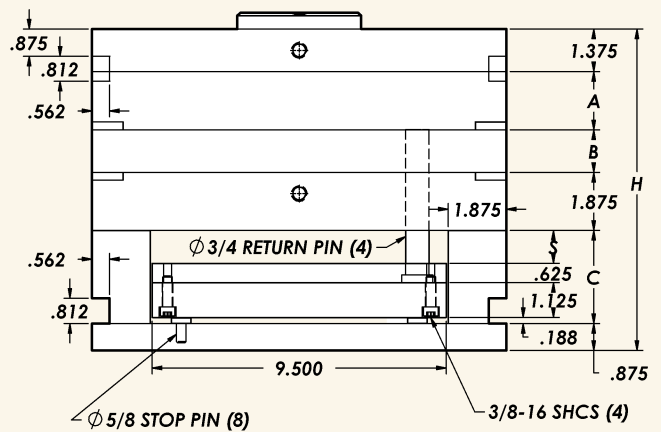
VIEW X



VIEW Y



SECTION Z-Z



END VIEW