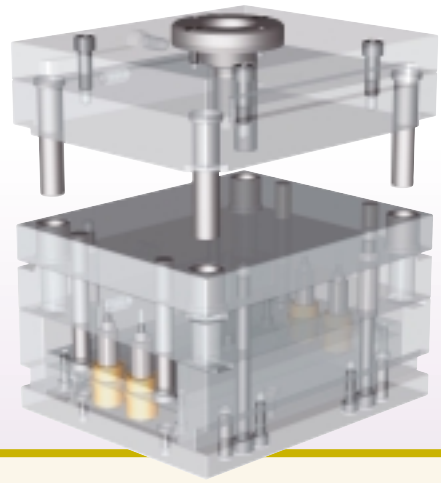


E-Series MOLD BASES

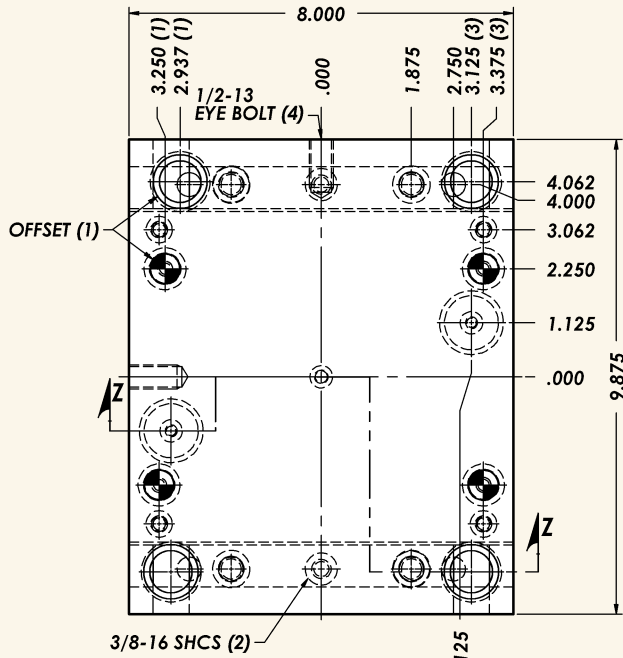


When ordering specify the following:

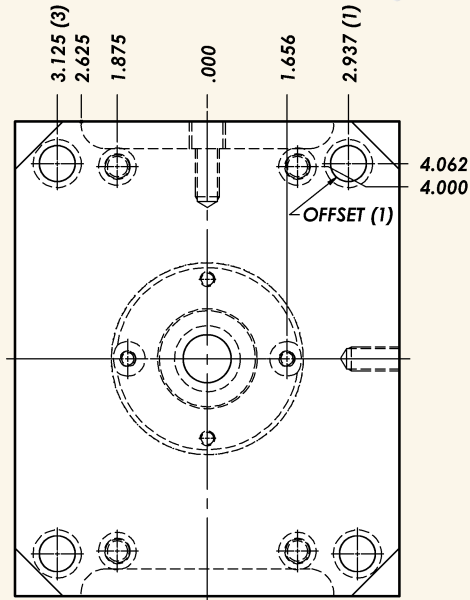
- Catalog number: **E1008**
- **A** plate thickness
- **B** plate thickness
- **O** sprue bushing orifice
- **R** sprue bushing radius
- Locating ring LR501 or LR504

9⁷/₈ x 8

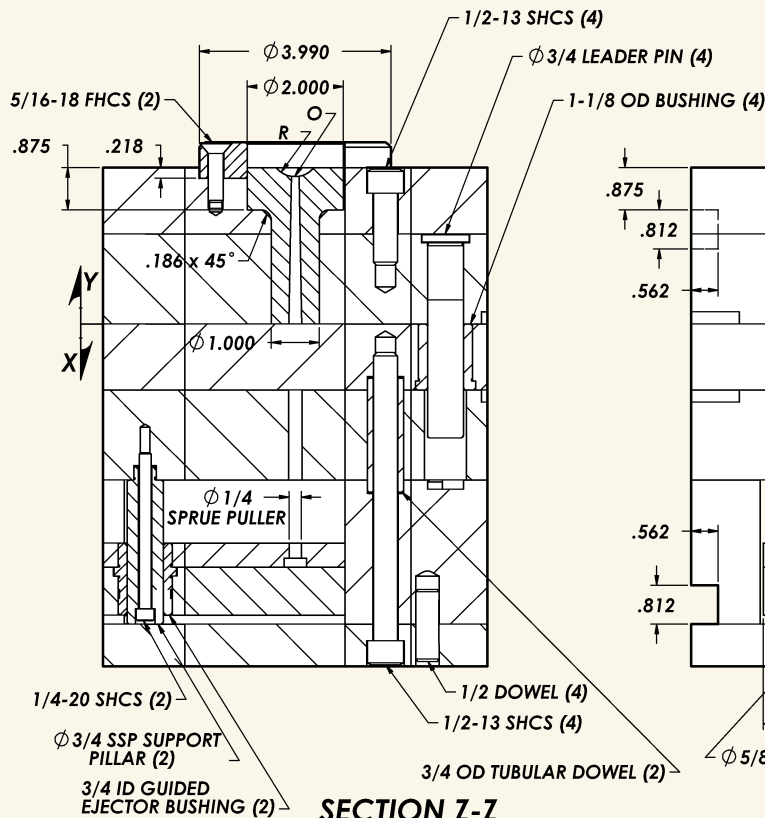
Example: E-1008-1313 O=7/32 R=1/2



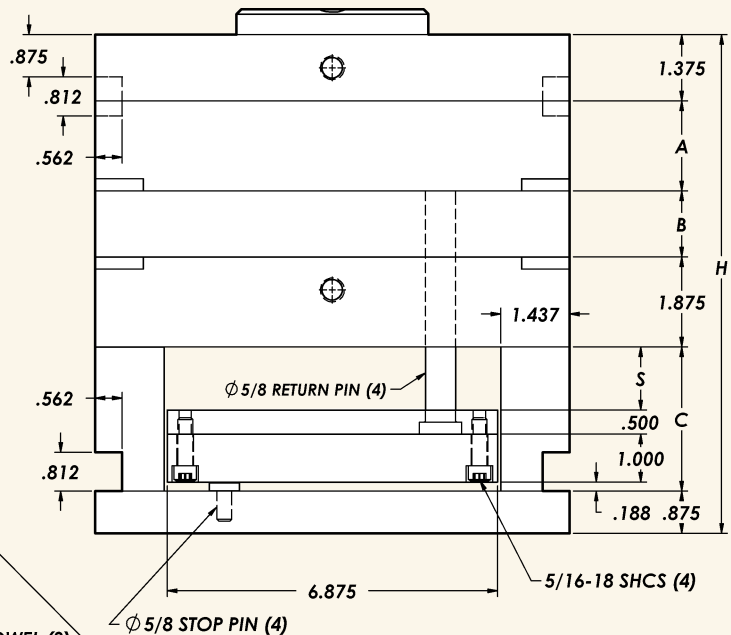
VIEW X



VIEW Y



SECTION Z-Z



END VIEW