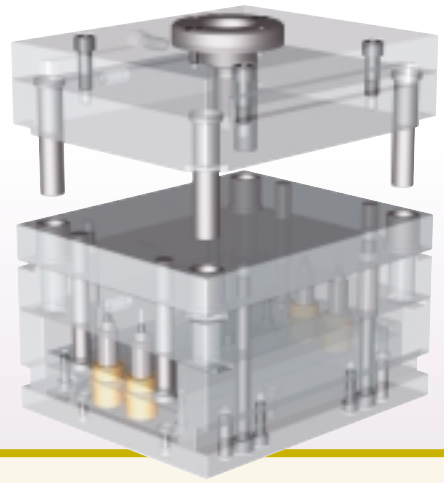


# E-Series MOLD BASES

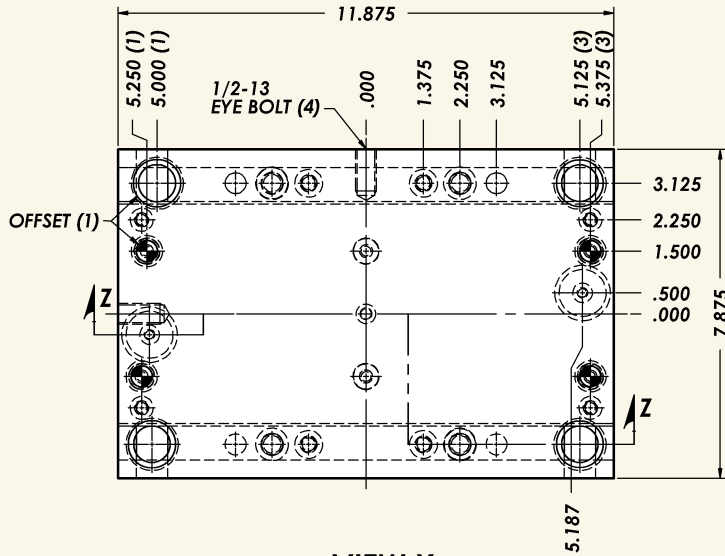


When ordering specify the following:

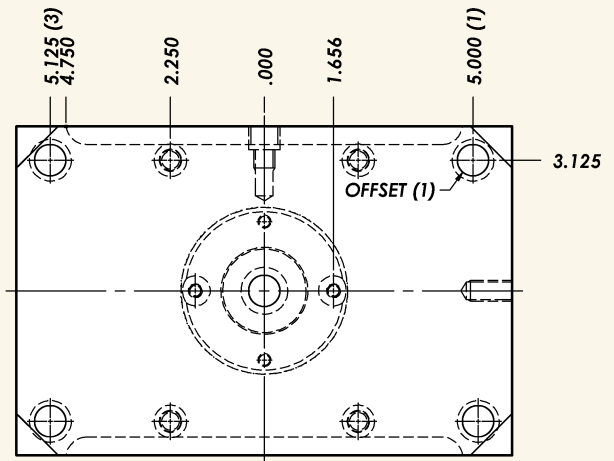
- Catalog number: **E0812**
- **A** plate thickness
- **B** plate thickness
- **O** sprue bushing orifice
- **R** sprue bushing radius
- Locating ring LR501 or LR504

## 7<sup>7</sup>/<sub>8</sub> x 11<sup>7</sup>/<sub>8</sub>

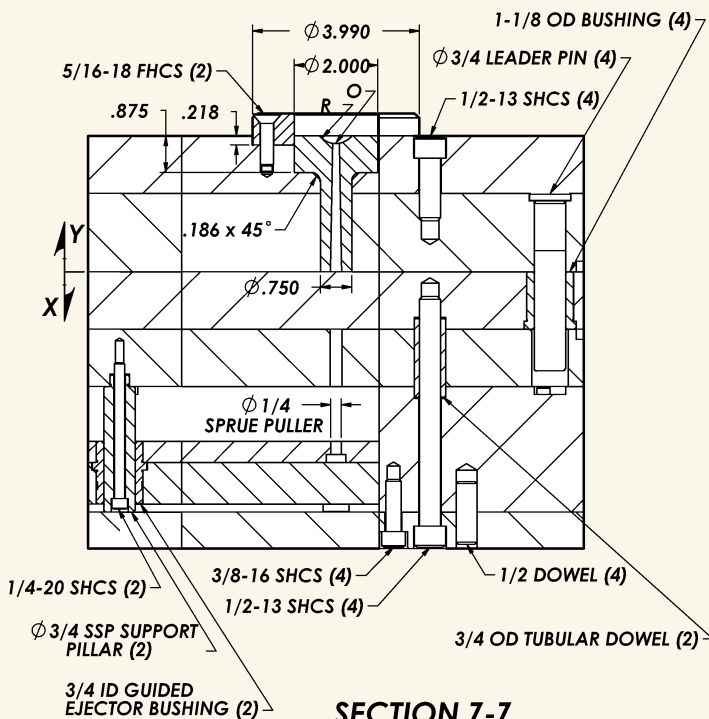
Example: E-0812-0707 O=5/32 R=1/2



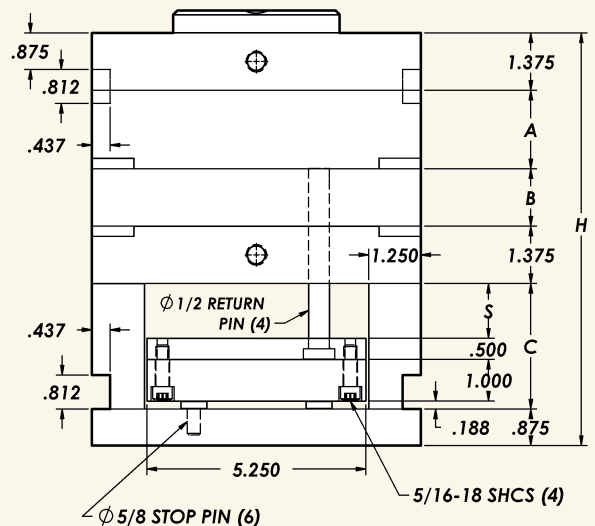
VIEW X



VIEW Y



SECTION Z-Z



END VIEW