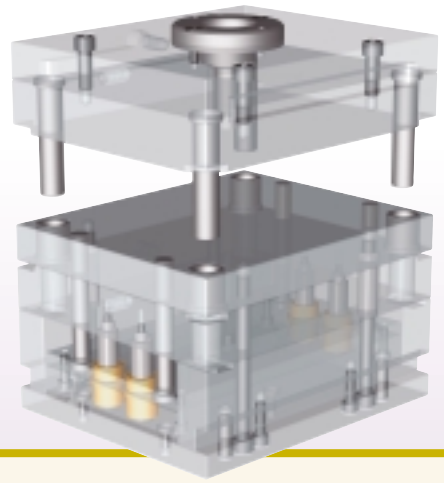




# E-Series MOLD BASES



When ordering specify the following:

- Catalog number: **E0808**
- **A** plate thickness
- **B** plate thickness
- **O** sprue bushing orifice
- **R** sprue bushing radius
- Locating ring LR501 or LR504

## 7<sup>7</sup>/<sub>8</sub> x 7<sup>7</sup>/<sub>8</sub>

Example: E-0808-0707 O=5/32 R=1/2

