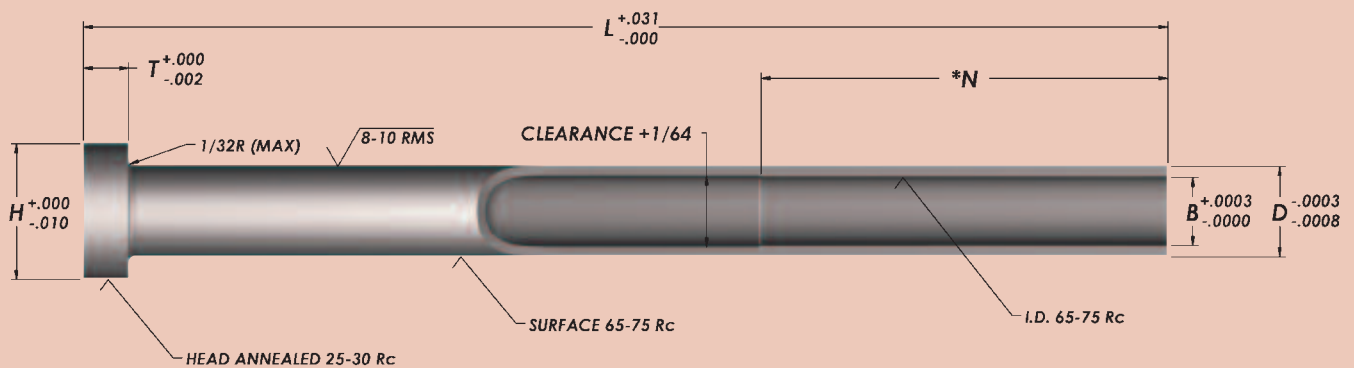




# Ejector Sleeves +.005 Oversize Nitrided - Parallel Inch

Material • AISI: H13  
• 1.2344  
Nitrided • I.D. & O.D.



**NEW**

B I.D.	D O.D.	Cat. No.	L									H	T
			4"	5"	6"	7"	8"	9"	10"	11"	12"		
3/32	.1925	OSE02	L04	L05	L06	L07	L08	L09	L10	L11	L12	3/8	3/16
1/8	.2238	OSE03	L04	L05	L06	L07	L08	L09	L10	L11	L12	13/32	3/16
5/32	.2550	OSE04	L04	L05	L06	L07	L08	L09	L10	L11	L12	7/16	3/16
3/16	.3175	OSE05	L04	L05	L06	L07	L08	L09	L10	L11	L12	1/2	1/4
1/4	.3800	OSE06	L04	L05	L06	L07	L08	L09	L10	L11	L12	5/8	1/4
5/16	.4425	OSE07	L04	L05	L06	L07	L08	L09	L10	L11	L12	11/16	1/4
3/8	.5050	OSE08	L04	L05	L06	L07	L08	L09	L10	L11	L12	3/4	1/4

- To order, add overall length "L" to Catalog Number. Example: OSE02L04
  - Sizes marked in light print are available but generally not stocked. Call for price and delivery. Example: OSE02L11
  - \* (N) = 1-3/4 for OSE02 and OSE03
  - \* (N) = 2-1/4 for OSE04 and larger
- Any of DMS standard sleeves (from page B9) can be ordered oversize. Call our order desk for details.