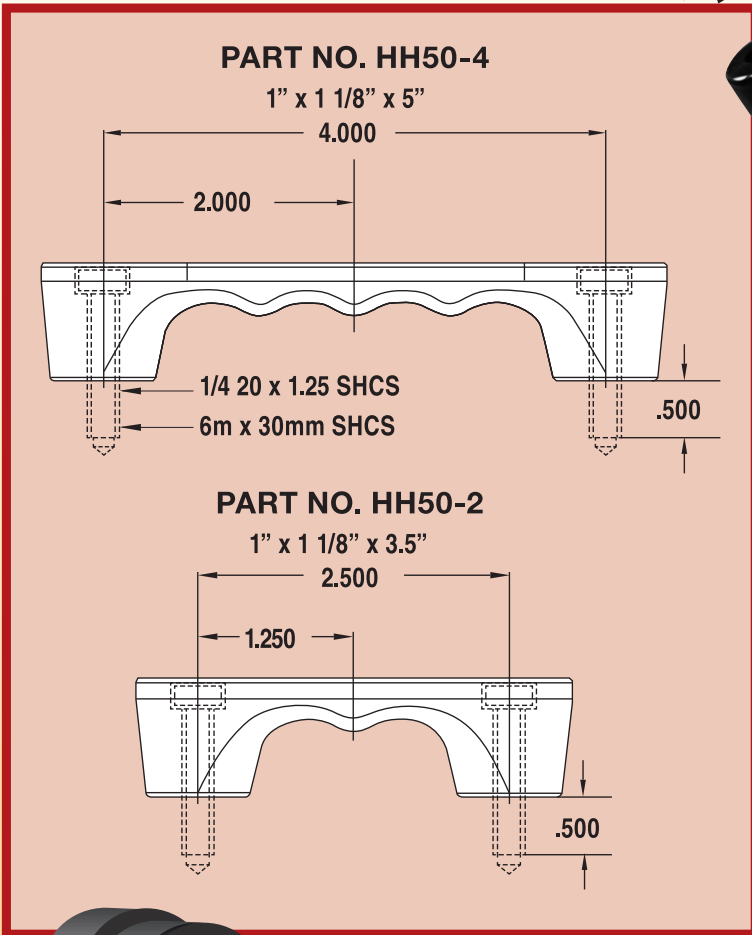




Hose Hangers

NEW



- Inexpensive way to keep hoses from interfering with mold setup and part removal
- Polypropylene 30% glass filled
- Can accept 3/8 and 1/2 inch hose

