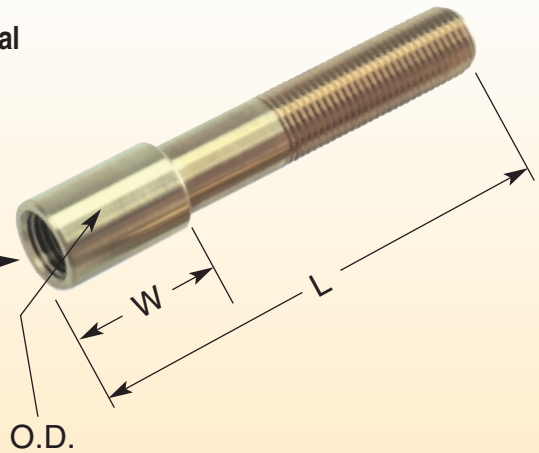
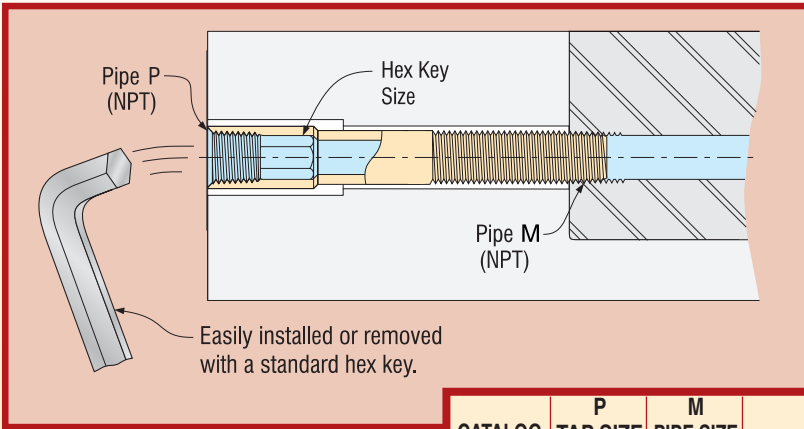




HexKey Extension Pipes

Heavy duty internal hex socket

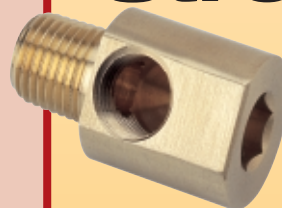
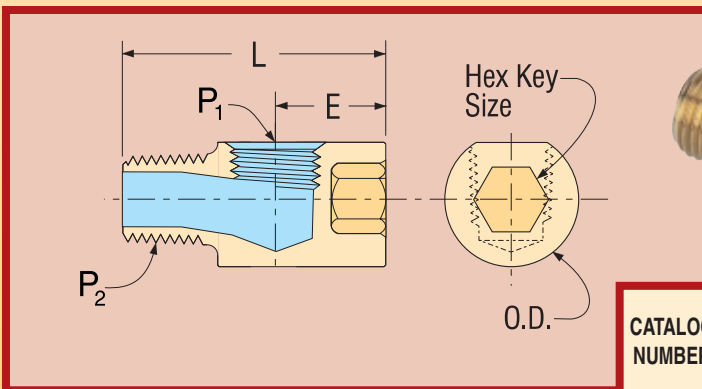


- HexKey Extension Pipes are available in a wide variety of special lengths and threads.
- Accurate length adjustments are easy with the Brass Extension Plug thread system.

CATALOG NUMBER	P TAP SIZE FEMALE (NPT)	M PIPE SIZE MALE (NPT)	W	O.D.	HEX KEY SIZE	OVERALL LENGTH "L"				
						2-1/2	4"	5-1/2	7"	8-1/2
EP18	1/8	1/8	3/4	1/2	1/4	X025	X040	X055	X070	X085
EP14	1/4	1/4	1"	11/16	3/8	X025	X040	X055	X070	X085
EP38	3/8	3/8	1-1/4	13/16	1/2	X025	X040	X055	X070	X085
EP50	1/2	1/2	1-1/2	1"	9/16	X025	X040	X055	X070	X085

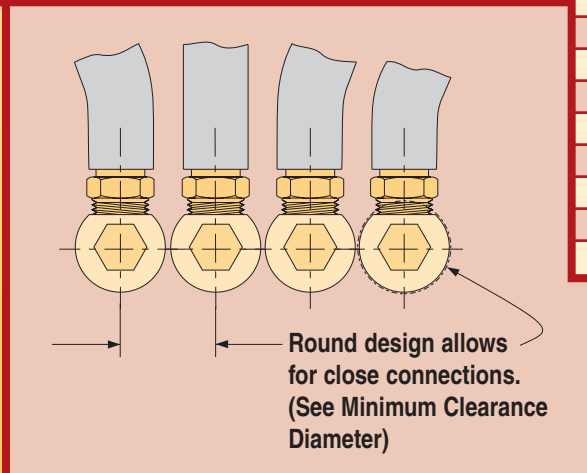
To order, add overall length to catalog number. Example EP18X025

HexKey Street Elbows



Extra heavy duty hex socket allows maximum assembly torque and positive removal.

CATALOG NUMBER	P ₁ TAP SIZE FEMALE (NPT)	P ₂ PIPE SIZE MALE (NPT)	L	E	O.D.	MINIMUM CLEARANCE DIAMETER	HEX KEY SIZE
KL16	1/16	1/16	1.156	.531	.552	9/16	1/4
KL1618	1/16	1/8	1.218	.531	.615	5/8	5/16
KL18	1/8	1/8	1.312	.580	.615	5/8	5/16
KL1814	1/8	1/4	1.500	.593	.860	7/8	3/8
KL14	1/4	1/4	1.625	.660	.860	7/8	3/8
KL1438	1/4	3/8	1.625	.712	.985	1"	1/2
KL38	3/8	3/8	1.750	.780	.985	1"	1/2
KL50	1/2	1/2	2.250	.940	1.235	1-1/4	1/2



- HexKey Street Elbows install with an Allen wrench for positive assembly and removal.
- Angular coolant path allows connecting fittings to be torqued tight without choking off flow.