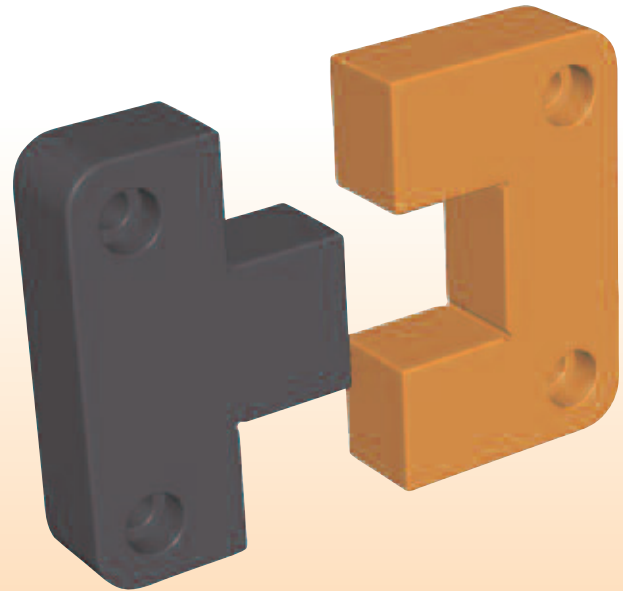




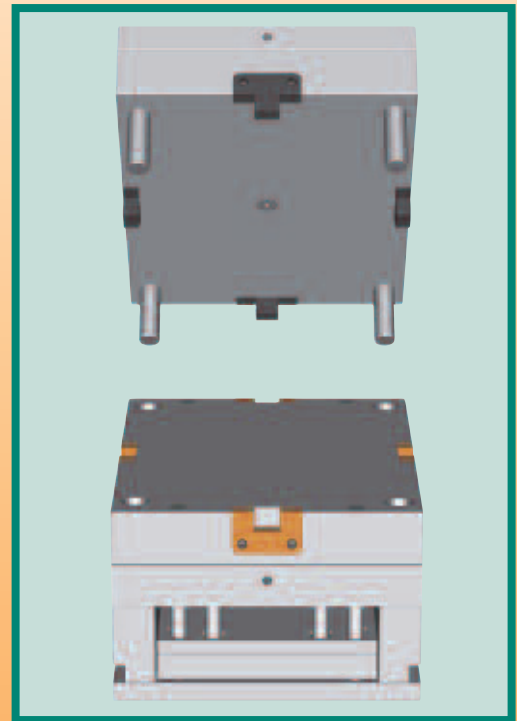
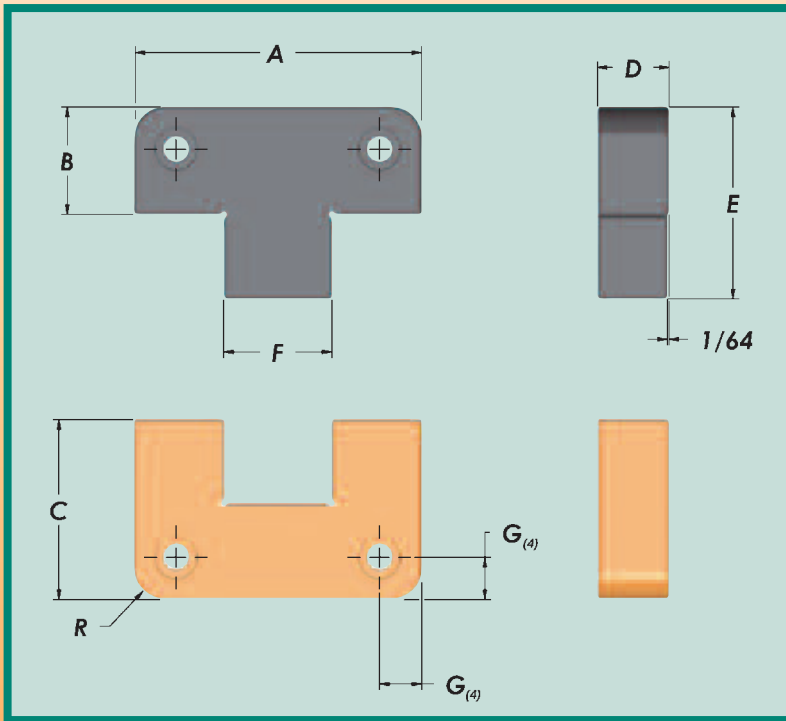
Side Locks



Male half: O-6 steel (58-60 Rc)
Black Oxide Finish

Female half: S-7 steel (54-56 Rc)
Titanium Nitrided (80 Rc)

- Supplied with socket head cap screws.
- Sold in sets only.



Catalog Number	A +.0000 -.0004	B +.000 -.002	C +.000 -.002	D +.000 -.002	E	F .0001/.0002 Clearance per side	G +.010 -.010	R	SHCS
PLS-100	1.000	.870	1.125	.375	1.310	.440	.250	3/16	10-32 X 1/2
PLS-125	1.250	.870	.875	.437	1.230	.500	.250	1/4	10-32 X 1/2
PLS-150	1.500	.870	1.000	.500	1.250	.625	.281	1/4	10-32 X 5/8
PLS-200	2.000	.870	1.375	.620	1.375	.680	.375	1/4	1/4-20 X 3/4
PLS-300	3.000	1.120	1.875	.745	2.000	1.125	.440	5/16	1/4-20 X 7/8
PLS-400	4.000	1.370	1.875	.875	2.312	1.375	.625	3/8	3/8-16 X 1
PLS-500	5.000	1.370	2.375	1.120	2.625	1.750	.625	3/8	3/8-16 X 1-1/4