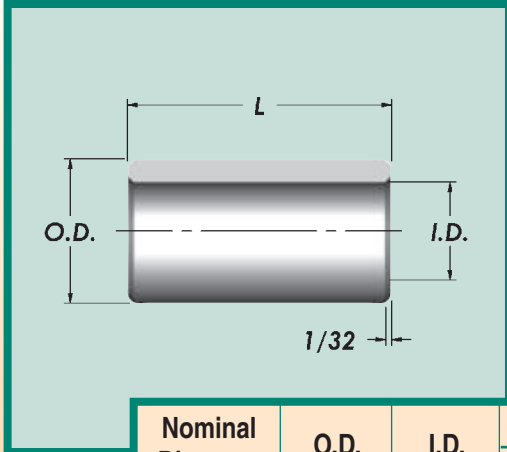
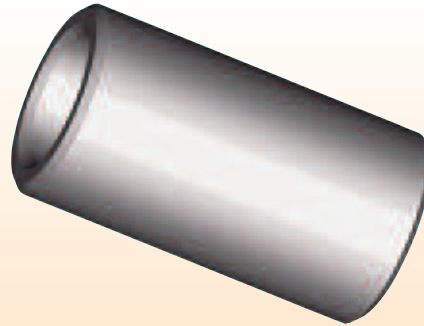


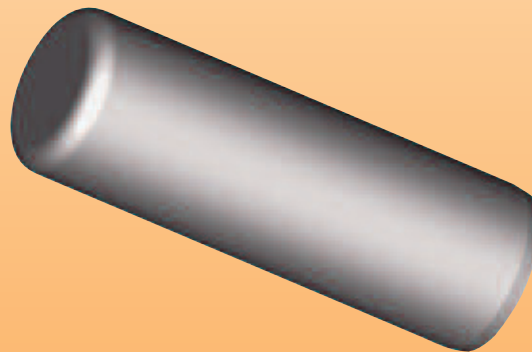


# Tubular Dowels



Nominal Diameter	O.D.	I.D.	CATALOG NUMBER						
			L=3/8	L=1/2	L=7/8	L=1-3/8	L=1-7/8	L=2-3/8	L=2-7/8
3/8	.3752	.260	TD37037		TD37087				
5/8	.6252	.385		TD62050		TD62137	TD62187	TD62237	
3/4	.7502	.510	TD75037	TD75050		TD75137	TD75187	TD75237	TD75287
7/8	.8752	.635		TD87050				TD87237	TD87287

# Dowel Pins



• Precision ground .0002 O/S

Length	Diameter								
	1/8	3/16	1/4	5/16	3/8	1/2	5/8	3/4	1"
3/8	DP125X037								
1/2	DP125X050	DP187X050	DP250X050						
3/4	DP125X075	DP187X075	DP250X075		DP375X075	DP500X075			
1"	DP125X100	DP187X100	DP250X100	DP312X100	DP375X100	DP500X100			
1-1/4			DP250X125	DP312X125	DP375X125	DP500X125			
1-1/2		DP187X150	DP250X150	DP312X150	DP375X150	DP500X150	DP625X150		
2"	DP125X200	DP187X200	DP250X200	DP312X200	DP375X200	DP500X200	DP625X200	DP750X200	DP100X200
2-1/2			DP250X250		DP375X250	DP500X250	DP625X250	DP750X250	
3"					DP375X300	DP500X300	DP625X300	DP750X300	DP100X300
4"						DP500X400	DP625X400	DP750X400	DP100X400
5"							DP625X500	DP750X500	DP100X500