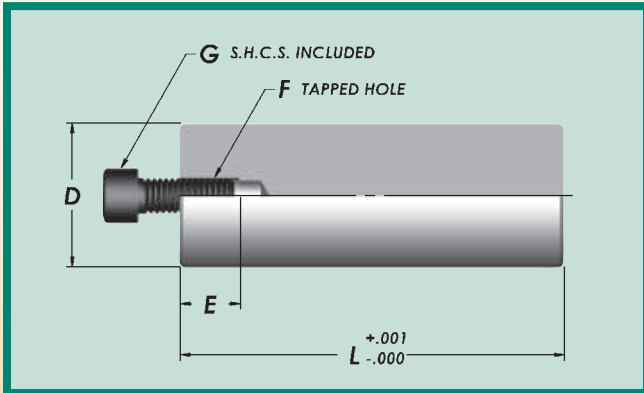
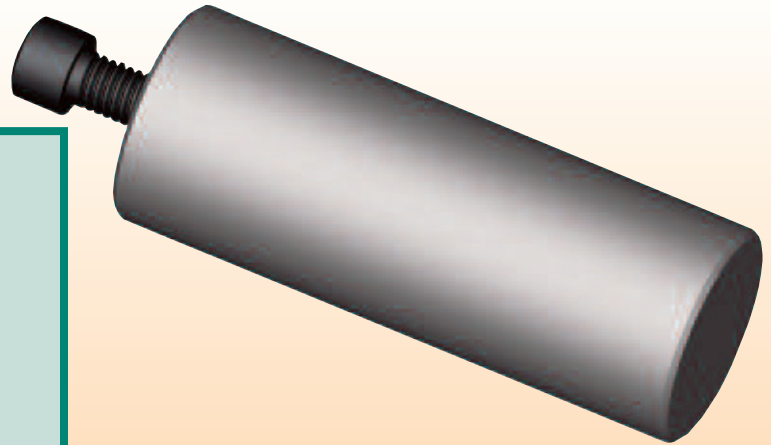


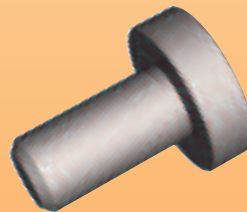
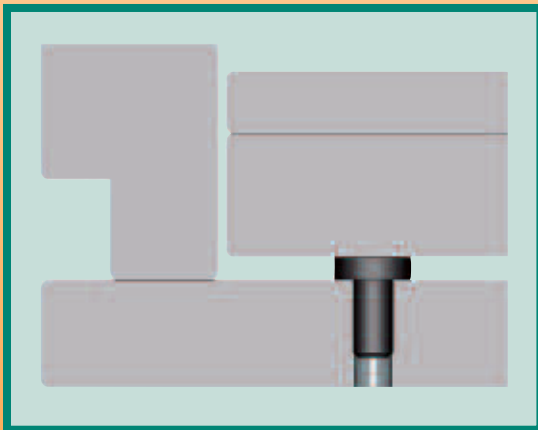


Standard Support Pillars Tapped



D	E	F	G	CATALOG NUMBER								
				L=2-1/2"	L=3"	L=3-1/2"	L=4"	L=4-1/2"	L=5"	L=6"	L=8"	
1"	5/8	3/8-16	3/8-16x1"	SP1090	SP1091	SP1092	SP1093	SP1094				
1-1/4	5/8	3/8-16	3/8-16x1"	SP1130	SP1131	SP1132	SP1133	SP1134	SP1135	SP1136		
1-1/2	5/8	3/8-16	3/8-16x1"	SP1140	SP1141	SP1142	SP1143	SP1144	SP1145	SP1146		
2"	5/8	3/8-16	3/8-16x1"	SP1150	SP1151	SP1152	SP1153	SP1154	SP1155	SP1156		
3"	1-1/4	5/8-11	none						SP1235	SP1236	SP1238	

Stop Pins



Standard

- Head thickness is .020 oversize to provide grinding stock.
- Catalog Number SB-001



Hardened and Self Tapping

- Head thickness has grind stock.
- Use with 11/32 drilled hole.
- Catalog Number SB-001ST

