



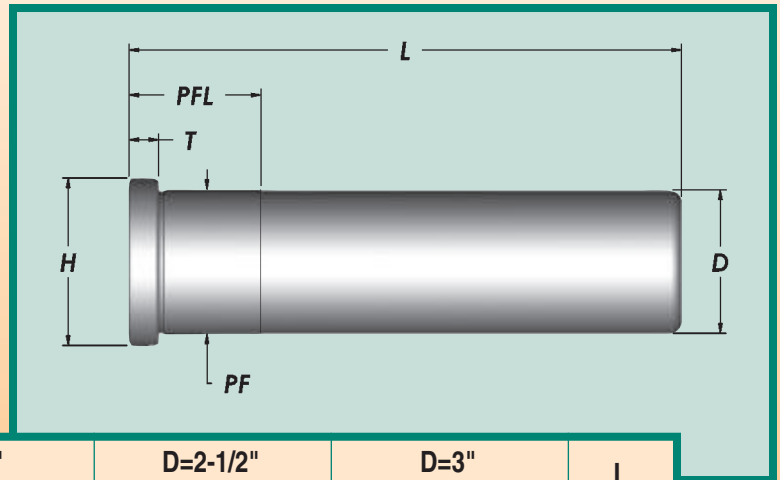
# Leader Pins

## Straight

### 1-1/2 - 3"



General Dimensions and Tolerances				
Nominal Diameter	D +0.000 -0.005	PF +0.005 -0.000	H +0.000 -0.010	T +0.000 -0.005
1-1/2	1.499	1.501	1.740	5/16
2"	1.999	2.001	2.240	5/16
2-1/2	2.499	2.501	2.740	5/16
3"	2.999	3.001	3.365	1/2



L	D=1-1/2"		D=2"		D=2-1/2"		D=3"		L
	PFL	Cat. No.	PFL	Cat. No.	PFL	Cat. No.	PFL	Cat. No.	
3-3/4	1-3/8	1402							3-3/4
4-1/4	1-3/8	1403							4-1/4
4-3/4	1-3/8	1404							4-3/4
5-1/4	1-3/8	1405							5-1/4
5-3/4	1-3/8	1406	1-7/8	1606	2-3/8	1806			5-3/4
6-1/4	1-3/8	1407							6-1/4
6-3/4	1-3/8	1408	1-7/8	1608	2-3/8	1808			6-3/4
7-1/4									7-1/4
7-3/4	1-7/8	1410	1-7/8	1610	2-3/8	1810			7-3/4
8-1/4									8-1/4
8-3/4	1-7/8	1412	1-7/8	1612	2-3/8	1812			8-3/4
9-1/4									9-1/4
9-3/4	1-7/8	1414	1-7/8	1614	2-3/8	1814			9-3/4
10-1/4									10-1/4
10-3/4	1-7/8	1416	1-7/8	1616	2-3/8	1816			10-3/4
11-1/4									11-1/4
11-3/4	1-7/8	1418	1-7/8	1618	2-3/8	1818			11-3/4
12-1/4									12-1/4
12-3/4	1-7/8	1420	1-7/8	1620	2-3/8	1820	2-7/8	3020	12-3/4
13-3/4	1-7/8	1422	1-7/8	1622	2-3/8	1822			13-3/4
14-3/4	1-7/8	1424	1-7/8	1624	2-3/8	1824	2-7/8	3024	14-3/4
15-3/4	1-7/8	1426	1-7/8	1626	2-3/8	1826			15-3/4
16-3/4			2-3/8	1628	2-3/8	1828	2-7/8	3028	16-3/4
18-3/4			2-3/8	1632	2-3/8	1832	2-7/8	3032	18-3/4
<b>NEW</b> 36	2-3/8	LP1-1/2x36	2-3/8	LP2x36	2-3/8	LP2-1/2x36	2-7/8	LP3x36	36