

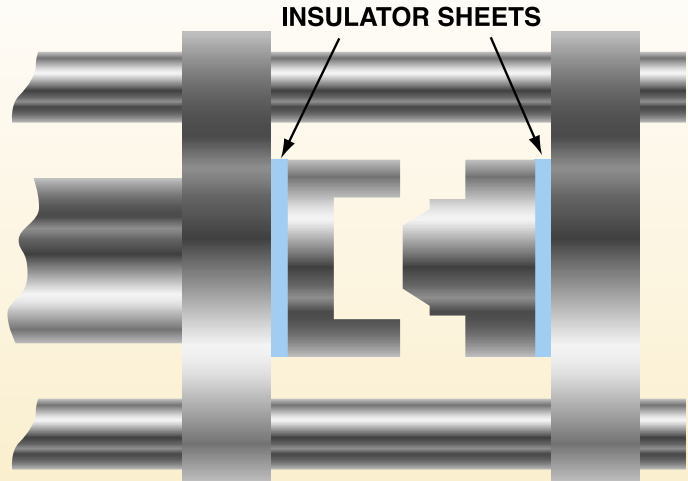


# High Temperature Insulator Sheets



## GLASTHERM® Grade HT

Glastherm Grade HT is a high compressive strength, heat-resistant composite material. Finished to a close thickness tolerance, it is ideal for installation between the mold and the press or within the mold itself. It is completely asbestos-free and rugged to withstand rough handling during installation. It is easily cut and machined with standard metal working equipment. Diamond cutting tools are recommended for long life. Compression molded for high impact strength, supplied micro-finished top and bottom, parallel within  $\pm .002$ .

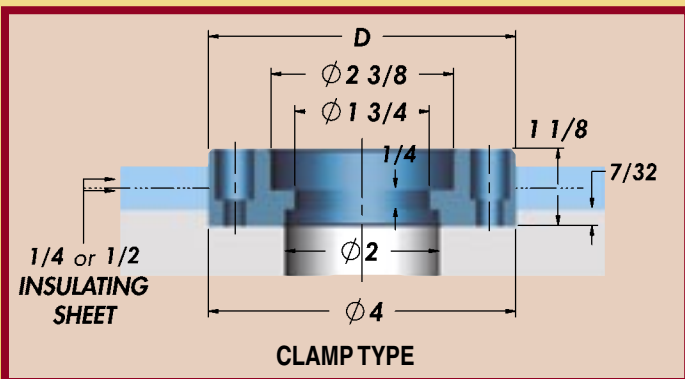
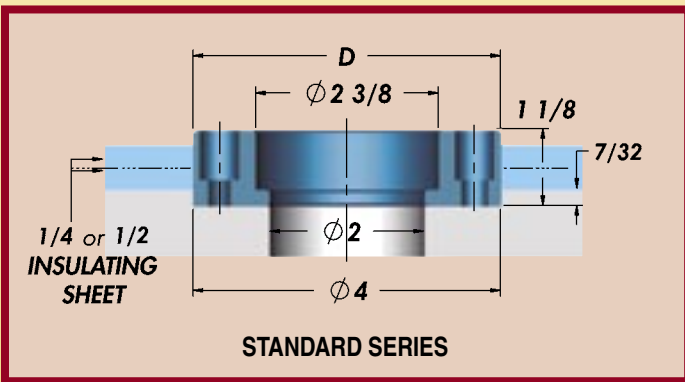


GENERAL INFORMATION			
Compressive Strength	(ASTM D-229)		49,400 psi at 75°F
			27,200 psi at 300°F
			18,000 psi at 400°F
			17,100 psi at 500°F
			15,000 psi at 550°F
Modules of Elasticity in Compression	(ASTM D-229)		$1.8 \times 10^6$ psi at 75°F
			$2.9 \times 10^6$ psi at 75°F
Water Absorption	(ASTM D-229)		0.2%
Thermal Conductivity (K Factor) (Btu/hr/ft <sup>2</sup> /in/°F)	(ASTM C-177)		1.9 at 75°F
			2.1 at 425°F
Flame Resistance	(UL Subject 94)		94V-0
Expansion Across Thickness			$6.43 \times 10^{-5}$ in/in/°F
Expansion Across Surface			$6.43 \times 10^{-5}$ in/in/°F
Maximum Recommended Service Temperature			550°F

THICKNESS	LENGTH	WIDTH	CATALOG NUMBER
1/4	36"	18"	GTIS1836-25
1/4	36"	24"	GTIS2436-25
1/4	36"	36"	GTIS3636-25
1/2	36"	18"	GTIS1836-50
1/2	36"	24"	GTIS2436-50
1/2	36"	36"	GTIS3636-50

- High hot compressive strength.
- Low thermal conductivity.
- Oil and moisture resistant.
- Reduces heat loss.
- Helps control temperature.
- Faster mold startup.
- Special machining to print available.
- Special sizes also available

## Locating Rings For Use with Insulator Sheets



CATALOG NUMBER	D	DESCRIPTION
LR541	3.990	Standard Series
LR544	3.990	Clamp Type



These thicker Locating Rings are used with Insulator Sheets 1/4 and 1/2 thick. They extend beyond the Insulator Sheet far enough to ensure more than 5/16 pilot engagement with the locating hole in the machine platen.

GLASTHERM® is a registered trademark of Glastic Corp.