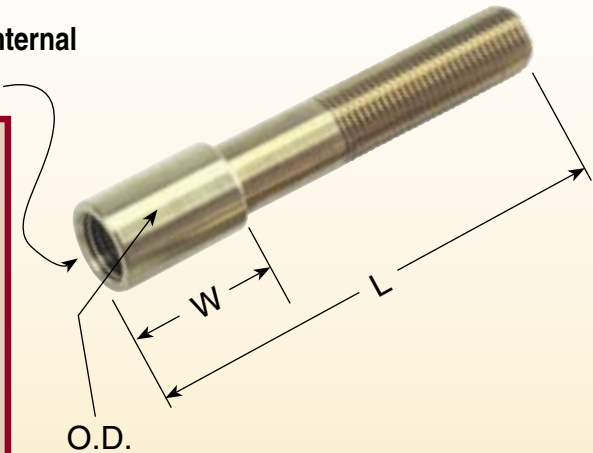
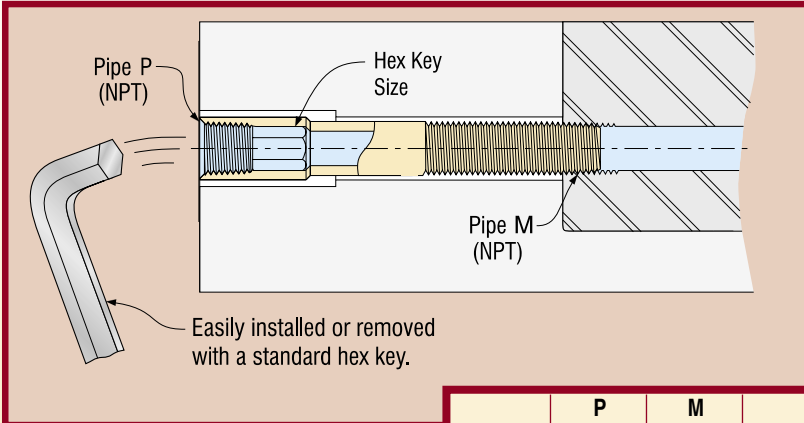




# HexKey Extension Pipes

Heavy duty internal hex socket

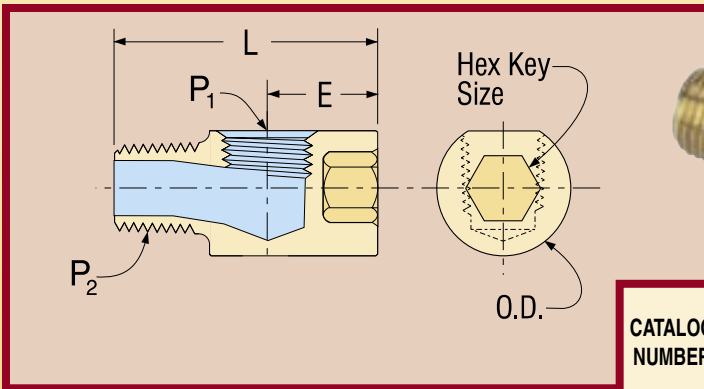


- HexKey Extension Pipes are available in a wide variety of special lengths and threads.
- Accurate length adjustments are easy with the Brass Extension Plug thread system.

| CATALOG NUMBER | P TAP SIZE FEMALE (NPT) | M PIPE SIZE MALE (NPT) | W     | O.D.  | HEX KEY SIZE | OVERALL LENGTH "L" |      |       |      |       |
|----------------|-------------------------|------------------------|-------|-------|--------------|--------------------|------|-------|------|-------|
|                |                         |                        |       |       |              | 2-1/2              | 4"   | 5-1/2 | 7"   | 8-1/2 |
| EP18           | 1/8                     | 1/8                    | 3/4   | 1/2   | 1/4          | X025               | X040 | X055  | X070 | X085  |
| EP14           | 1/4                     | 1/4                    | 1"    | 11/16 | 3/8          | X025               | X040 | X055  | X070 | X085  |
| EP38           | 3/8                     | 3/8                    | 1-1/4 | 13/16 | 1/2          | X025               | X040 | X055  | X070 | X085  |
| EP50           | 1/2                     | 1/2                    | 1-1/2 | 1"    | 9/16         | X025               | X040 | X055  | X070 | X085  |

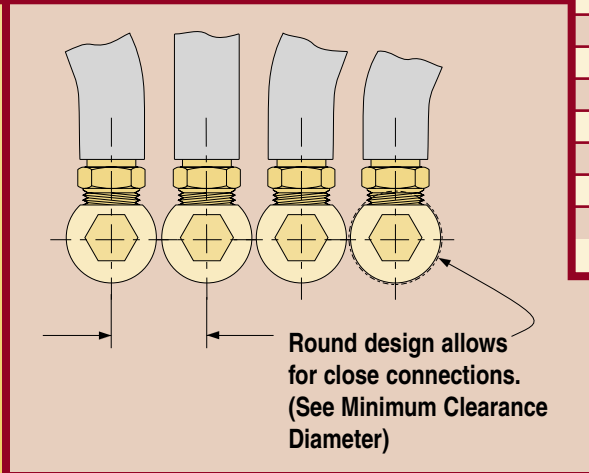
To order, add overall length to catalog number. Example EP18X025

# HexKey Street Elbows



Extra heavy duty hex socket allows maximum assembly torque and positive removal.

| CATALOG NUMBER | P <sub>1</sub> TAP SIZE FEMALE (NPT) | P <sub>2</sub> PIPE SIZE MALE (NPT) | L     | E    | O.D.  | MINIMUM CLEARANCE DIAMETER | HEX KEY SIZE |
|----------------|--------------------------------------|-------------------------------------|-------|------|-------|----------------------------|--------------|
| KL16           | 1/16                                 | 1/16                                | 1.156 | .531 | .552  | 9/16                       | 1/4          |
| KL1618         | 1/16                                 | 1/8                                 | 1.218 | .531 | .615  | 5/8                        | 5/16         |
| KL18           | 1/8                                  | 1/8                                 | 1.312 | .580 | .615  | 5/8                        | 5/16         |
| KL1814         | 1/8                                  | 1/4                                 | 1.500 | .593 | .860  | 7/8                        | 3/8          |
| KL14           | 1/4                                  | 1/4                                 | 1.625 | .660 | .860  | 7/8                        | 3/8          |
| KL1438         | 1/4                                  | 3/8                                 | 1.625 | .712 | .985  | 1"                         | 1/2          |
| KL38           | 3/8                                  | 3/8                                 | 1.750 | .780 | .985  | 1"                         | 1/2          |
| KL50           | 1/2                                  | 1/2                                 | 2.250 | .940 | 1.235 | 1-1/4                      | 1/2          |



- HexKey Street Elbows install with an Allen wrench for positive assembly and removal.
- Angular coolant path allows connecting fittings to be torqued tight without choking off flow.